

TECHNICAL DATA SHEET

Items: 1/360/5-GRB, 1/360/5-ROB, 1/360/5-BLB, 1/360/5-GIA, 1/360/5-VEB, 1/360/5GRB-ROB, 1/360/5GRB-BLB, 1/360/5GRB-GIA, 1/360/5GRB-VEB.

Description: Wheeled waste bin 360 liter capacity with lip handled lid.

Material: PEHD (high density polyethylene).

Colours: GRB (gray RAL 7021), BLB (blue RAL 5005), ROB (red RAL 3020), GIA (yellow RAL 1018) and VEB (light green RAL 6011) or with gray body and colored lid.

Classification: class II C with frontal receiver type A.

Weight: 15,5 kg (body 11 kg and lid 1,9 kg).

Max permissible load: 160 kg.

Working temperatures range: from -30°C to +80°C.

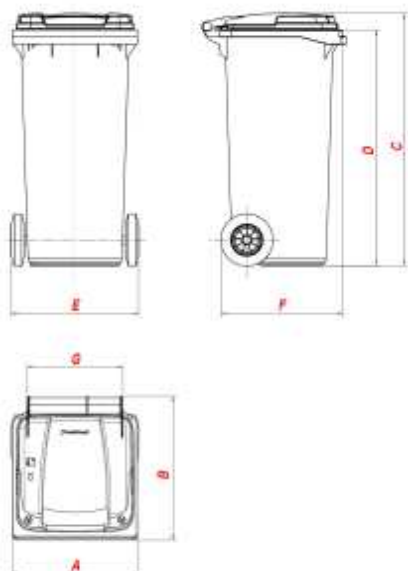
Notes:

The product is certified by TUV according to UNI EN 840 1-5-6.

The product complies to EC Directive 2000/14 (noise emissions lower than 98 dB).

Galvanized axle and 200 mm diameter rubber wheels.

Optional: foot-operated lid opening



Dimensions (mm):

A	596
B	880
C	1099
D	1015
E	571
F	757
G	410



MOBIL PLASTIC S.p.A.

Via Robbio, 31 - 27030 Confindenza (PV) - ITALIA

Tel. +39 0384 674692 (3 linee r.a.) - Fax +39 0384 674696

Web site: <http://www.mobilplastic.it> e-mail: info@mobilplastic.it

Reg. Impr. Pavia, P. IVA e C. F. IT 00186030185

CAPITALE SOCIALE € 500.000,00 I.V. - R.E.A. PV n° 125850